

CAR LIFT PEGASOS[®]



TECHNOLOGY IN MOTION

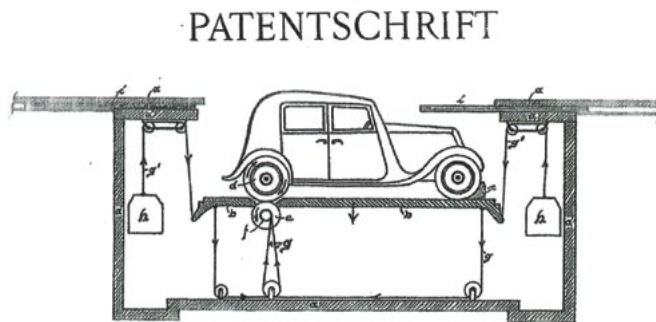
LÖDIGE INDUSTRIES

PIONEERS OF CAR LIFT SOLUTIONS

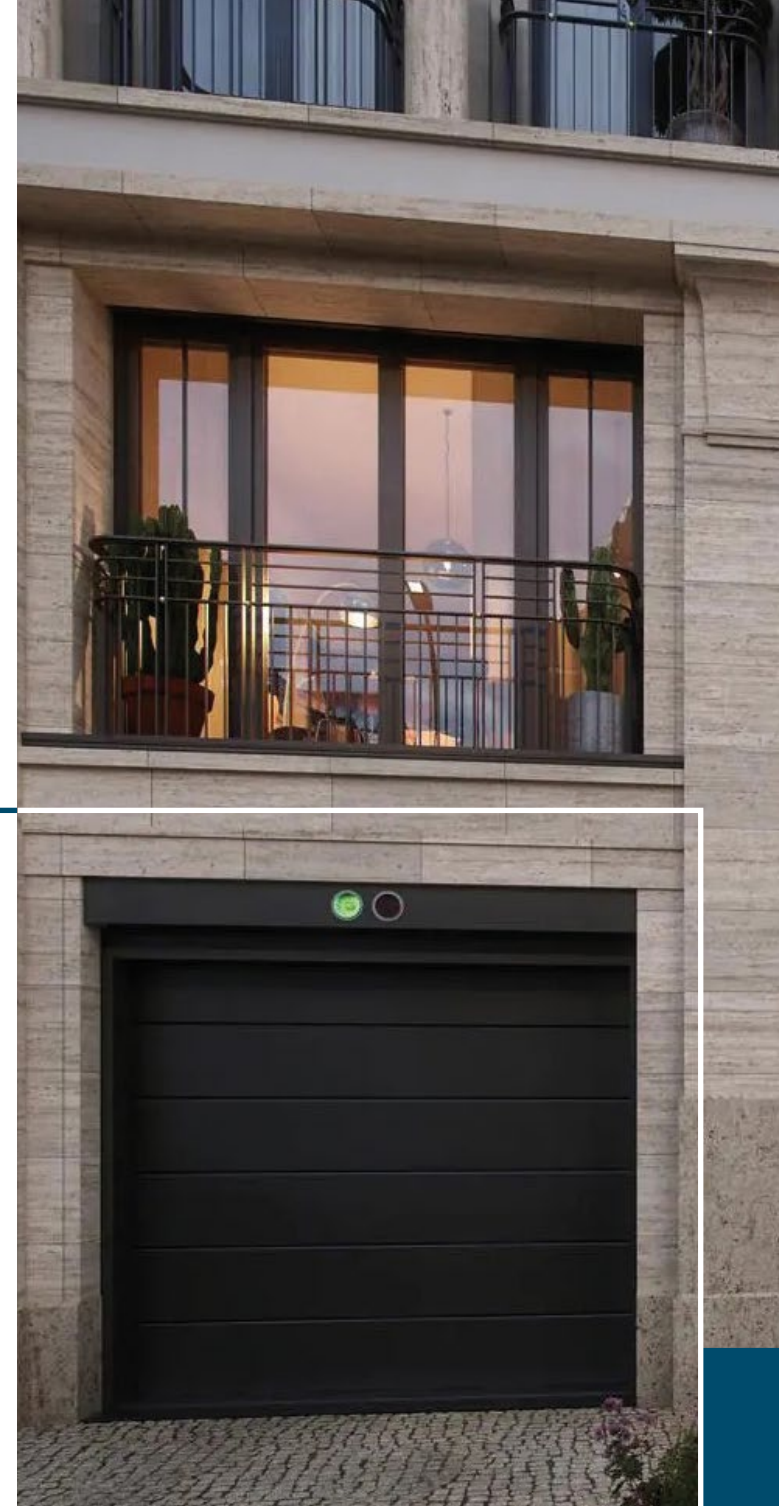
Lödige Industries is **one of the world's leading suppliers of logistics systems and lifting solutions** with more than 1200 employees in more than 20 countries worldwide.

For 75 years, we have focused on **quality, innovation and partnership** and our car lift solutions have one thing in common: cars are transported from one level to another in a safe, comfortable and space-saving manner.

Our car lifts – TRAFFICO, CARRICO and **PEGASOS** – are easy to operate and highly reliable. Our specialists support you all the way from planning via installation through to operation and ensure you receive the best parking solution for your specific requirements.



Even years before „Dipl.-Ing. A. Lödige Maschinenfabrik“ was founded, two Lödige brothers had already submitted a patent for lifting cars in 1938. Since then, we create space for safe, convenient parking with in-depth specialist knowledge and state-of-the-art technologies.





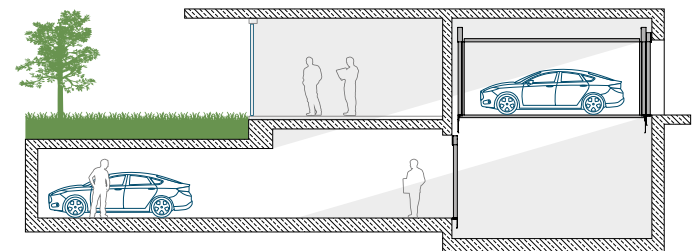
OPTIMISE SPACE

MAXIMISE LIVING

Architects and planners are often faced with the challenge of realising all the parking spaces required on the given floor area. Especially in urban centres, floor **space is often scarce and therefore very expensive.**

This is where the PEGASOS car lift offers key benefits: The **elimination of conventional ramps solves access issues and frees up space** for valuable and potentially profitable activities. The PEGASOS optimises access routes, maximises the number of parking spaces and also blends seamlessly into the building's appearance.

Make the most of your available space and create comfortable user experiences instead of narrow access road.



Grey area = Required space for a conventional access ramp

For this residential building in a high-end location, the PEGASOS car lift enables easy access to 16 parking spaces. The car lift, located next to the two-storey entrance hall, integrates seamlessly into the facade, dominated by column-framed balconies and flanking loggias with floor-length windows.

Compact shaft dimensions:
Car lifts can save up to 30m² or more of space compared to the access ramp!

THE PERFECT SOLUTION

FOR MULTIPLE APPLICATIONS

Architects and planners benefit from an **uncompromising realisation of their architectural vision** with the PEGASOS car lift. From single-detached residences to apartment buildings, offices and hotels, the PEGASOS has proven its value as space-saving and convenient parking access solution.

Easily accessible, the PEGASOS also optimises supply routes, i. e. transport of waste containers, cleaning trolleys, bikes and more. Main landing stop of the PEGASOS is on the ground floor level, reducing waiting times and removing the need for a designated parking space.

Why is the PEGASOS so easy to integrate in any kind of building?

- ✓ Very compact shaft dimensions
- ✓ No machine room necessary
- ✓ Small shaft headroom
- ✓ Shallow pit depth or ramp height of only 150 mm
- ✓ Designated waiting spaces can potentially be avoided



Single-family detached home

Create more parking spaces in your home:

The low shaft headroom of the PEGASOS enables standard room heights if integrated while appearing like a regular sized garage when attached to the main building.



Apartment buildings

Create a luxurious parking experience:

Due to the shallow pit depth and the lack of a machine room, the PEGASOS is particularly good at freeing up space for shared or storage areas, such as bike room or a basement gym.



Offices

Create quick and easy access:

A single PEGASOS car lift can provide up to 20 parking spaces in basements. Whether new construction or retrofit, this car lift is easily planned and quickly installed.



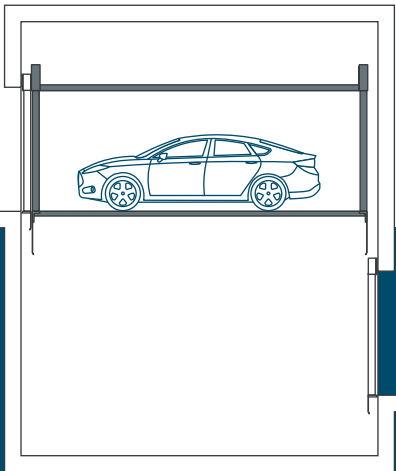
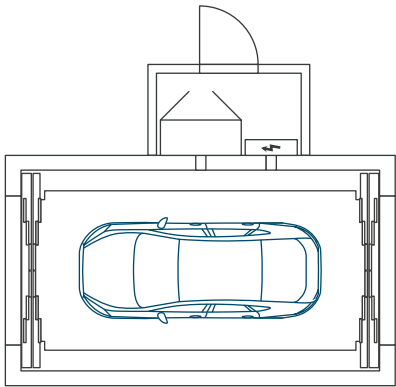
Hotels

Create comfortable, smooth transport routes:

Safe and reliable transport of guests' cars is as easy with the PEGASOS car lift, as the transportation of cleaning trolleys, laundry or waste containers.

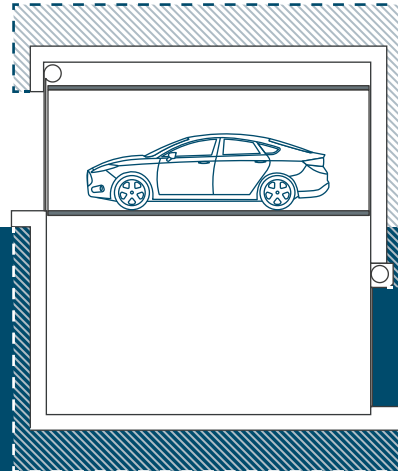
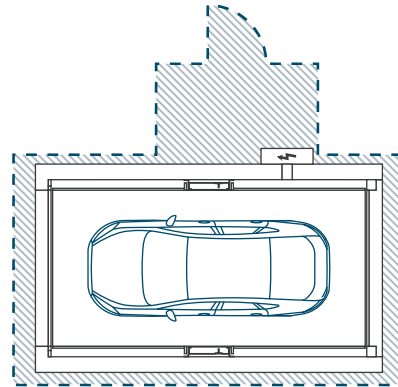
Given its **compact shaft dimensions**, the PEGASOS delivers the same cabin size in a considerably narrower shaft than a hydraulic car lift. The low shaft headroom allows the realisation of standard room heights on all floors. The low pit depth reduces excavation costs.

HYDRAULIC CAR LIFT



Average space consumption of a hydraulic car lift

PEGASOS CAR LIFT



Space reduction with a PEGASOS car lift





COMFORTABLE USER-EXPERIENCE

The parking experience

The entry and exit of the PEGASOS is particularly convenient because the **doors open to the full width of the cabin.**

Instead of manoeuvring through a narrow, steep or dark driveway, you can comfortably reach your parking space with a Lödige car lift – completely protected from all weathers.

The parking process

Drivers can call the lift by app, remote control or RFID-chip. Once the car has stopped in the cabin, the gate closes and the car lift travels to the parking level. The doors open fully automatically and the car can exit the cabin.

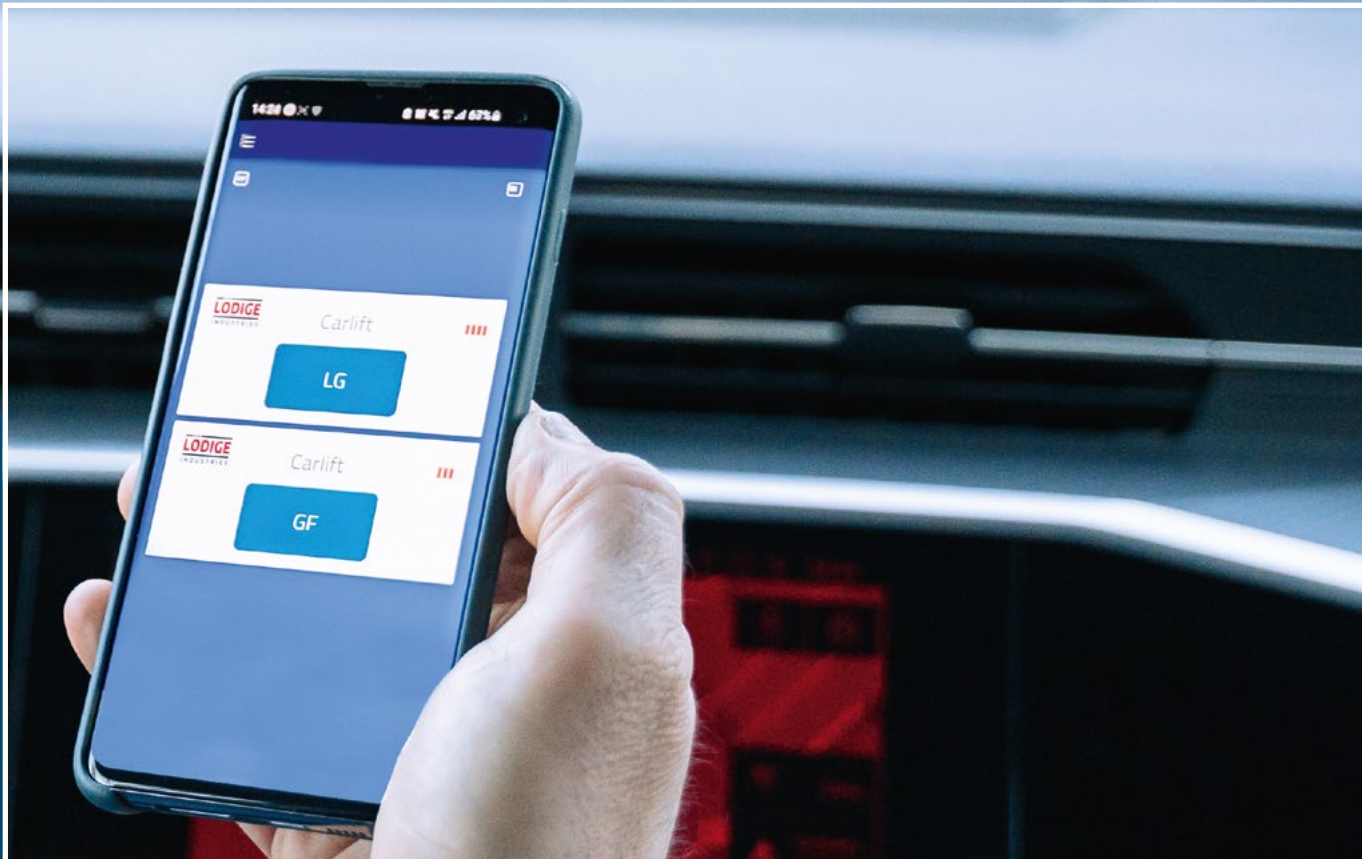
If a PEGASOS has only two stops, an integrated car detection system enables a fully automatic journey.

If there are more than two stops, pressing the destination button on the cabin control panel, remote control or app is necessary to access the desired floor.

The secured and convenient access of the PEGASOS protects the value of your car by preventing theft and reducing the risk of damages from manoeuvring in tight spaces.

SMART ACCESS

APP CONTROL



Our app solution allows users to **call and operate car lifts via smartphone**, without touching lift buttons or an additional remote control. With the integration of the app, Lödige Industries offers users high levels of security as well as an intuitive administration tool for access control.

The new app solution is offered across all car lift types and is available for retrofit in existing Lödige car lifts. As a completely Bluetooth-based system, the app works independently from any internet connections. Not only does this prevent unwanted data access by outside parties, it also ensures independence from signal disruptions. The Bluetooth connection enables flawless connectivity even in underground parking lots: ranges of up to 30 metres away from the elevator doors are possible.



Click or scan QR-code to learn more.



DOOR OPTIONS

TO MATCH YOUR DESIGN

You can choose between **six different door types** for the PEGASOS: revolving doors, roller shutters in the shaft headroom or in the wall reveal, overhead doors, sectional doors or electric louvre lamella sliding doors. Our silence package reduces the noise level in line with the requirements of DIN 8989. Find the most important differences and features of the various door types with installation examples and technical illustrations in a separate document.



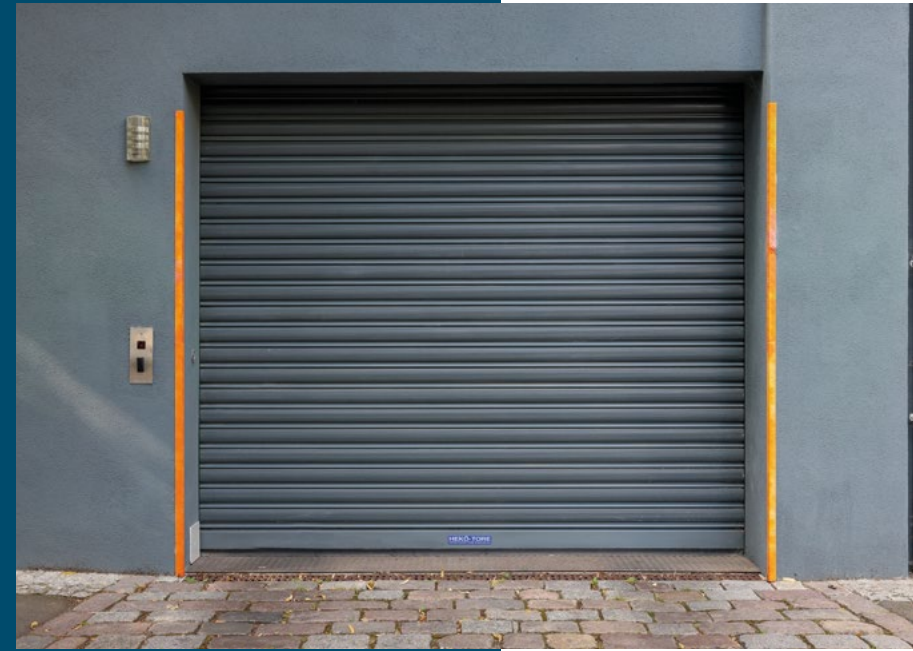
Click or scan QR-code to view all door options.



FACADE DESIGN WITHOUT COMPROMISES

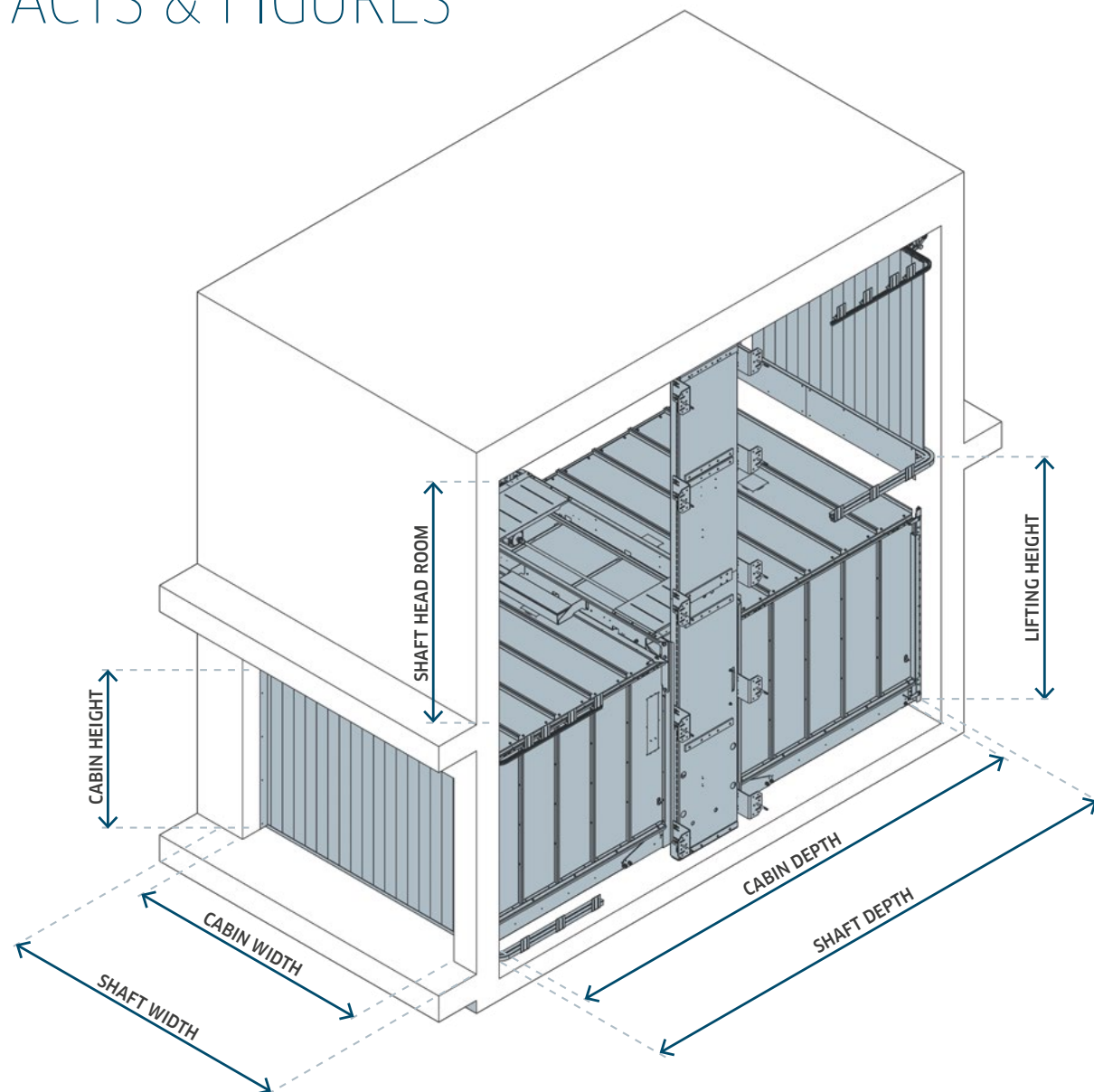
The seamless realisation of the architectural vision of a building is the goal of every architect, planner and builder. The PEGASOS car lift gives you plenty of design choices.

Thanks to its different automated and manually operated door variants and their respective installation, the car lift is able to match all given constructional requirements. Doors can be installed in the shaft head, in the wall reveal or can be directly attached to the ceiling.



TECHNICAL DATA

FACTS & FIGURES



Lifting height	max. 24 m
Nominal speed	0.15 m/s
Pit depth/Ramp height	150 mm
Nominal load	2,700 – 3,500 kg
Cabin width	2,500 – 3,000 mm
Cabin depth	5,500 – 6,400 mm
Cabin height	2,100 mm
Stops	2 – 4
Accesses	2 – 8 (one above the other or opposite)
Landing head height	min. 2,550 mm - depending on landing doors
Shaft width	Cabin width + min. 400 mm
Shaft depth	Cabin depth + 60 mm
Axle load	max. 1,700 kg - forklift operation prohibited
Control	Push button control
Drive	Electric with chain, 8 kW
Operating modes	Fully automatic travel (2 stops) Automatic travel (from 3 stops)
Directives	Machinery Directive 2006/42/EC DIN EN 81-41:2011

YOUR PARTNER

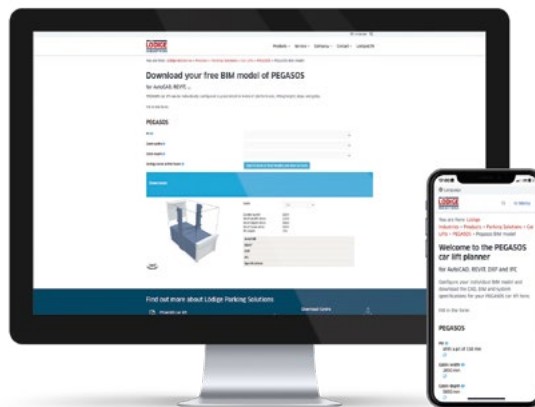
FROM PLANNING TO SERVICE

Correct planning is a key ingredient in the successful installation of a car lift. We are happy to support you in this process. **Our planning guide provides detailed information** on shaft geometry, cabin sizing, insulation, control cabinets, cycle times and provides much more useful information.



Click or scan QR-code to explore the PEGASOS Planning Guide.

With our **online configurator**, you can **start planning directly** and get a first draft of your individual car lift solution. Configure your BIM model and download the CAD, BIM and system specifications for your PEGASOS. Supported data formats are AutoCAD, REVIT, DXF and IFC.



Click or scan QR-code to explore the PEGASOS Configurator.



Lödige Industries provides bespoke maintenance services for lifts and lifting tables, which guarantee your assets operate reliably and at the lowest possible cost. From preventive repairs to emergency maintenance - our experienced service technicians ensure a long service life of your lift with the **right service package for your requirements**. As your needs change over time, Lödige can also support the expansion of your facility or the transition to new technologies. Our maintenance services include:

- ✓ 24-hour service hotline
- ✓ Fast fault response and clearance
- ✓ High spare parts availability
- ✓ Extensive regional service network
- ✓ Manufacturer independent maintenance
- ✓ Personal contact for all concerns



We will be happy to support you throughout the entire planning, installation and operating phase of your lift solution: Whether it is a new building, an existing building or a renovation - we look forward to hearing from you.

Let's start a new project together!



Discover your
direct contact:

www.lodige.com